



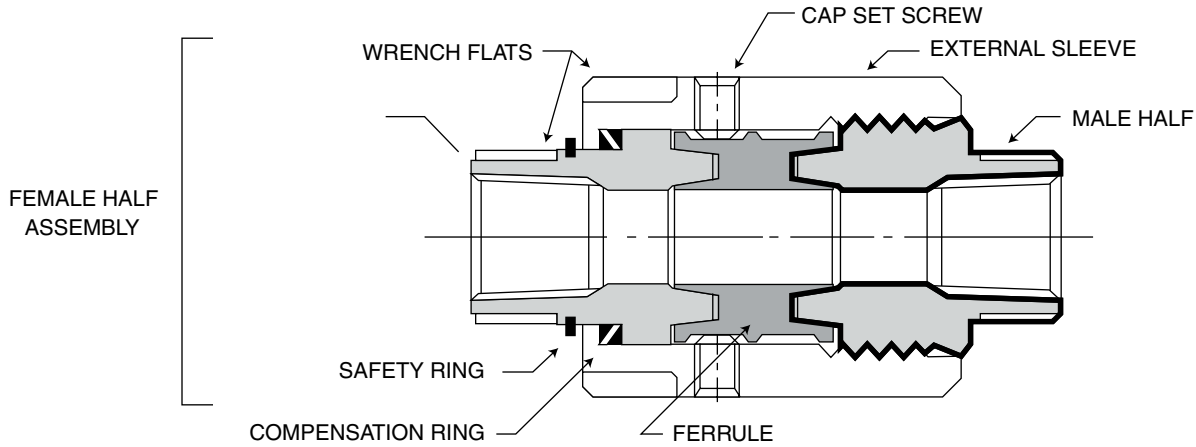
Engineered Systems
PART OF OPW FLUID TRANSFER GROUP
A DOVER COMPANY

- PIPE, TUBING, AND HOSE COUPLING SEALING SOLUTIONS
- PROCESS PIGGING
- PRODUCT RECOVERY TECHNOLOGIES



HT-C4 SERIES

- Cryogenic series bulkhead couplings
- Cryogenic Flange Replacement



Please contact Hiltap for specifications

Anodized colors

Blue	Standard
Red	Special order
Gold	Special order
Purple	Special order
Green	Special order
Clear coat	Special order

Materials Available

- Brass 360/464
- Aluminum 2024
- 316L Stainless Steel
- 304L Stainless Steel
- Exotic materials available

Dust caps part number

- HTC4-XX-DC dust cap fits over male coupling half
- HTC4-XX-DP dust plug fits in to female half

Standard Material:

Standard; Plain end 304
Stainless steel
Ferrule/Sleeves - 6061T6 Aluminum
or stainless 304/316

Order Information *HTC4 - 02 - 11*

Size	L-end	R-end
02 - 0.25 in (6.3 mm)	1 Internally threaded	
03 - 0.375 in (9.5 mm)	2 Externally threaded	
05 - 0.50 in (12.7 mm)	3 Butt weld	
07 - 0.75 in (19.0 mm)	4 Socket weld male	
10 - 1.00 in (25.4 mm)	5 Socket weld female	
20 - 2.00 in (50.8 mm)	6 BSP Hose barbed	
30 - 3.00 in (76.2 mm)	7 BSP internally threaded	
40 - 4.00 in (101.6 mm)		
60 - 6.00- (152.4mm)		
80 - 8.00- (203.2mm)		

Note: Other materials, sizes, and pressure ratings are available. Dust caps are available for both coupling halves

Innovative sealing technology for the chemical, petrochemical and pharmaceutical industries
Patented, Patent pending
1-800-661-6150 Toll-free U.S. only
(403) 250-2986 Canada **(403) 291-3592** Fax
www.hiltap.com

Distributed by: